

SPARE PARTS BILL OF MATERIAL

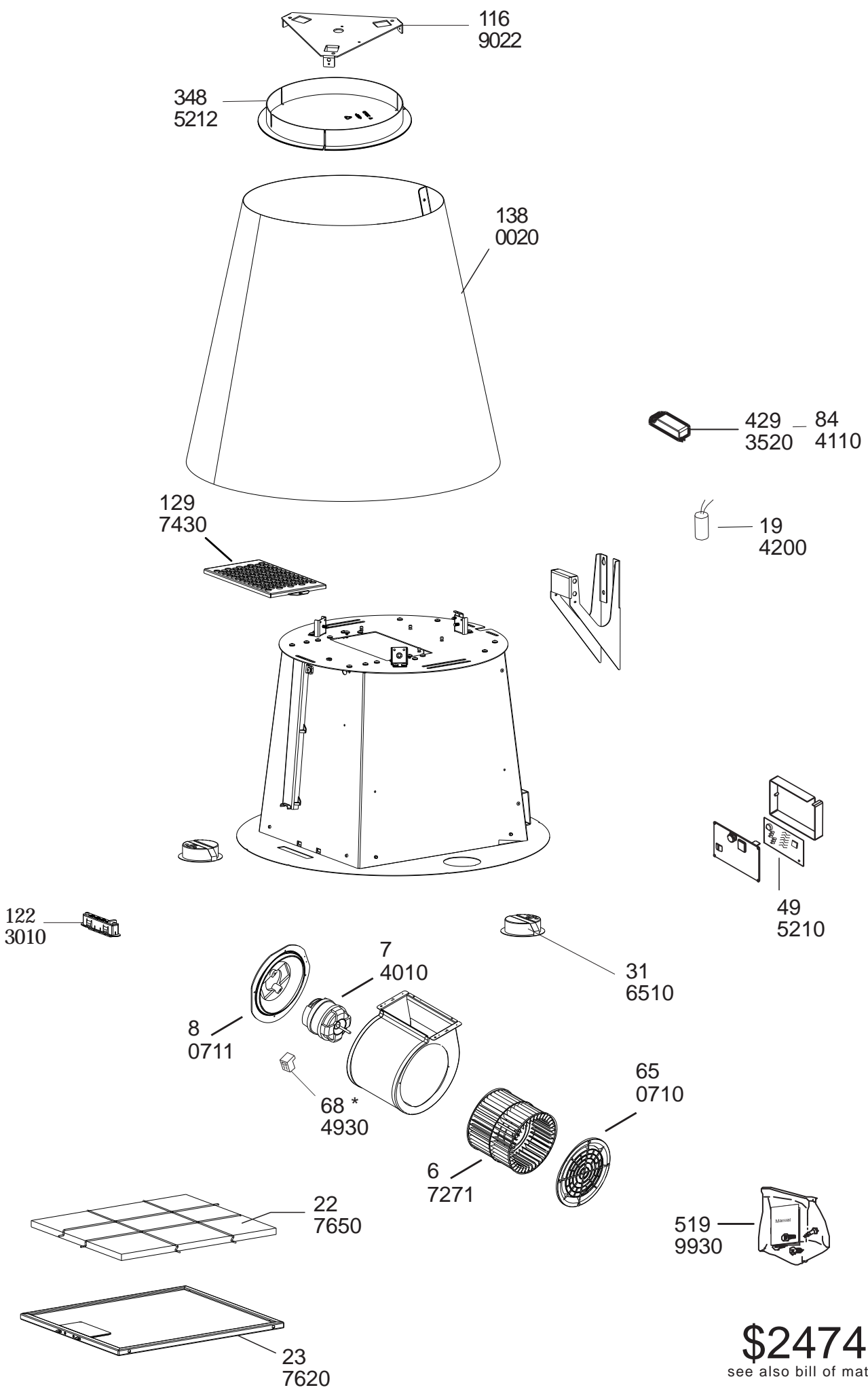
Code	Technical Description	Customer	Plant	Exploded No.
PRF0117451	ECOLUTION S48HE PL3V 2H IX/F/50	FAST CR	P151	\$2474
E-Number / 12NC	Commercial Description	Application	Electrical scheme No.	ECN
	PHILCO VITTORIA 50	Ricambi	SEL0062564	258248

ID	ID 2	Code	Description Descrizione	UM	Qty	Predecessor Code	Valid from
138	0020	MN26X11AA	SHELL A.MN.ECOLUTION SER.PHILCO	EA	1,000		
65	0710	PRZ0021056A	PROTECTION CONVEYOR PROTEZIONE CONV FLASH	EA	1,000		
8	0711	SUP0021041A	MOTOR SUPPORT SUP MOTORE S FLASH	EA	1,000		
122	3010	CU1TYA	COMPLETE SLIDER A.CR.SOFT LIGHT WHITE I.A.	EA	1,000		
7	4010	MOT0102272	MOTOR COUNTERCLOCKWISE ROTATION MOTORE S48 003 01 HE EDGE 3V	EA	1,000		
84	4110	TRF0092049	TRASFORMER TRA.EL.20-60W 220-240 X 2H	EA	1,000		
19	4200	CND0100072	CAPACITOR COND.4µF ø30MM P2 MET.F6.3 CODOLO	EA	1,000		
68	4930	3078K	CONNEN.INAR CONNEN.INAR-EDGE 5VIE INARCA	EA	1,000		
49	5210	ECB0051410	ELECTRONIC VARIATOR PWR BRD.EM.PS 3V 230V	EA	1,000		
348	5212	CP1BCC	COVER COP.STAFFA A SOFFITTO NIC/SAT	EA	1,000		
31	6510	2006Q	LAMP FAR.ALOG.A&E ZIK7 20W CENT.	EA	2,000		
6	7271	GN01WA	FAN WHEEL GIRAN.C.E.MOT.S.59 PALE D.6	EA	1,000		
129	7430	PZ04RA	FILTRING CONNECTION PROTEZ.U.A. DARWIN FIN.	EA	1,000		

SPARE PARTS BILL OF MATERIAL

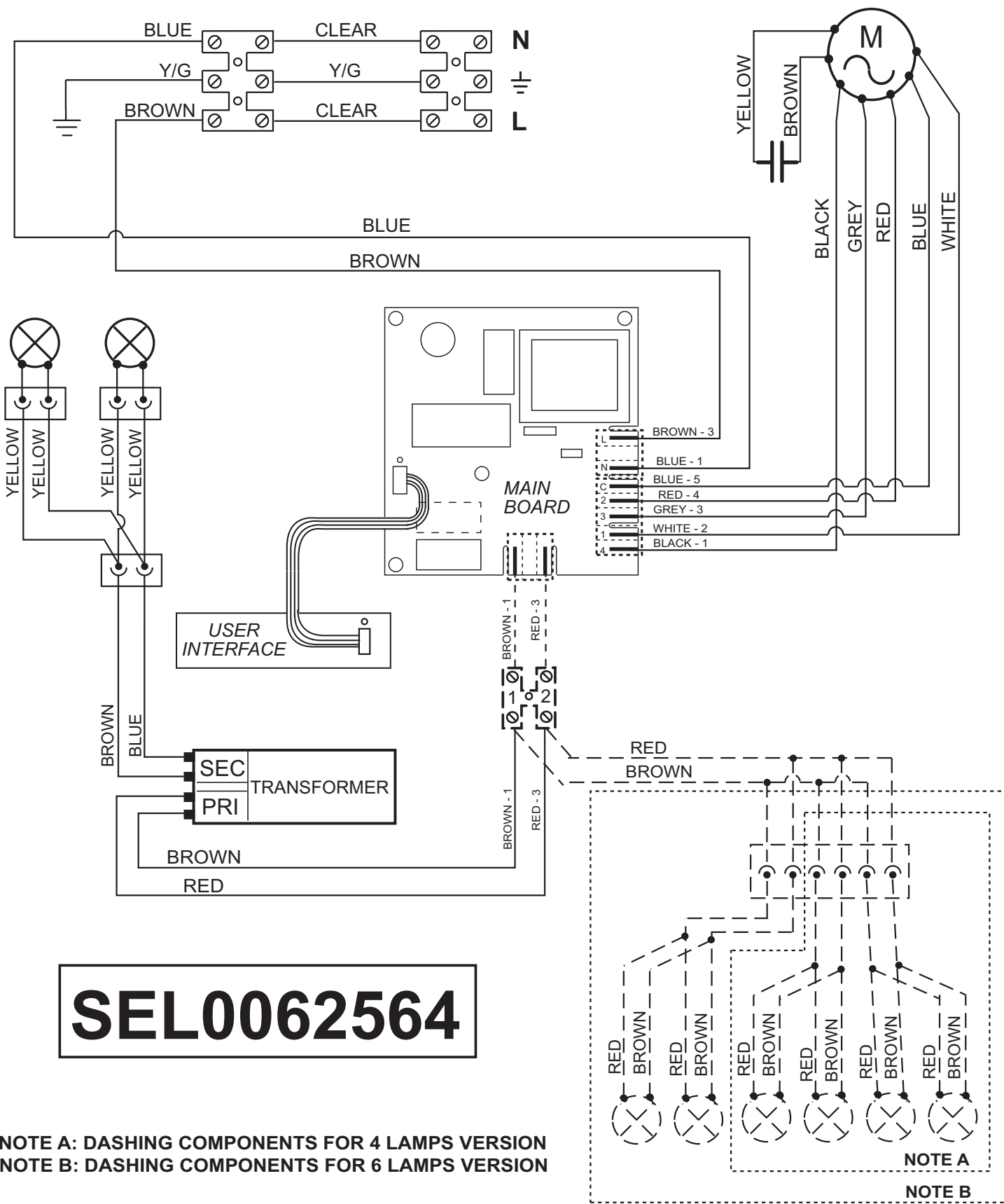
Code	Technical Description	Customer	Plant	Exploded No.
PRF0117451	ECOLUTION S48HE PL3V 2H IX/F/50	FAST CR	P151	\$2474
E-Number / 12NC	Commercial Description	Application	Electrical scheme No.	ECN
	PHILCO VITTORIA 50	Ricambi	SEL0062564	258248

ID	ID 2	Code	Description Descrizione	UM	Qty	Predecessor Code	Valid from
23	7620	GRI0009219A	GREASE FILTER GFA 2+1+1 1MG 267,5X305,5	EA	1,000		
22	7650	F00264/1	FILTRO CARBONE RETTANGOLARE FC MOD.31 MULT.24X2PZ ZM100	EA	1,000		
116	9022	SF103A	HANGER CEILING A.STAFFA FIX SOFFITTO+CAB.TERR	EA	1,000		
519	9930	DOC0117450	DOCUMENTATION PACK DOC. ECOLUTION PHILCO	EA	1,000		



\$2474

see also bill of material



DATA DATE	MODIF. N. MODIF. NO.	DESCRIZIONE MODIFICA MODIFICATION DESCRIPTION	DISEGNATO DRAWN BY	APPROVATO APPROVED
MODELLO MODEL ECOLUTION	PARTICOLARE DETAIL Schema elettrico		DISEGNO N. DRAWING No. SEL0062564	DATA DATE
MATERIALE MATERIAL Carta adesiva bianca 55x55	COLORE STAMPA PRINT COLOUR Nero		DISEGNATO DRAWN BY Salvucci L.	26/09/12
 UFFICIO TECNICO	 SCALA SCALE 1:1	LA RIPRODUZIONE O LA CESSIONE DEL PRESENTE DISEGNO DEVONO ESSERE AUTORIZZATE DALLA "ELICA" SPA <small>ANY REPRODUCTION OR TRANSFER OF THE PRESENT DRAWING MUST BE AUTHORIZED BY "ELICA" SPA</small>	SOSTITUITO DAL DIS. N. REPLACED BY DRAWING NO.	ULTIMA EMISS. LAST EDITION
			SOSTITUISCE IL DIS. N. IT REPLACES DRAWING NO. SEL0059025	26/09/12